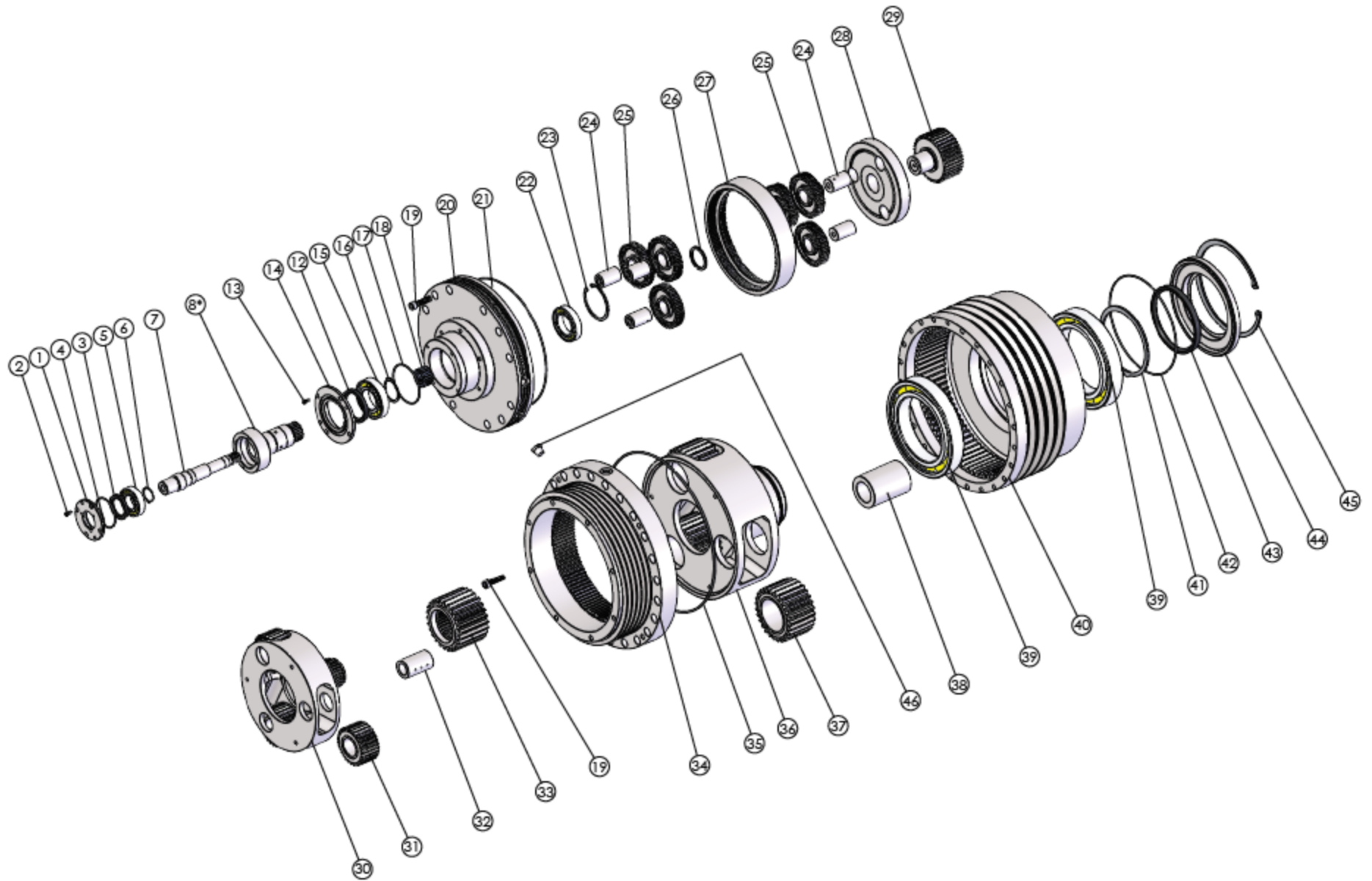
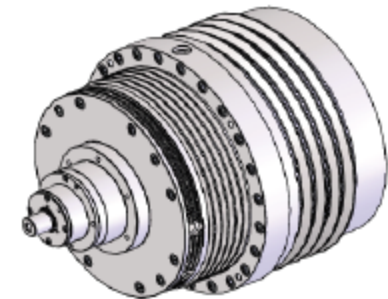


Rev Tech LC - Aftermarket Parts for Flottweg 4.12 Gearbox



Item#	Part#	Description	Qty	Item#	Part #	Description	Qty
1	390100	Inner Pinion Seal Cap	1	25	391800	Double Drive Planet Gear	6
2	390200	SHCS M5-0.8 x 10	4	26	391900	Distance Ring	1
3	390300	35 x 52 x 6 Seal	1	27	392000	Double Drive Ring Gear	1
4	390400	H3 x 60 O'Ring	1	28	392200	2nd Stage Housing	1
5	390500	NUP206E.TPV2	1	29	392300	3rd Stage Pinion	1
6	390501	Snap Ring	1	30	392400	3rd Stage Cage	1
7	390605	Inner Pinion Shaft	1	31	392500	3rd Stage Planet Gear	3
8	390600	Pinion Assembly (See Next Page)	1	32	392600	3rd Stage Pin	3
8-A	390601	Double Drive Pinion	1	33	392700	4th Stage Planet Pinion	1
12	390700	42 x 72 x 8 Seal	1	34	392800	3rd Stage Ring Gear	1
13	390200	SHCS M5-0.8 x 10	4	35	392900	O'Ring 4 x 340	1
14	391100	Outer Pinion Seal Cap	1	36	393200	4th Stage Housing w/Spline	1
15	391000	6209 Bearing	1	37	393000	4th Stage Planet Gear	3
16	390900	Snap Ring SH-77	1	38	393100	4th Stage Planet Pin	3
17	390800	H3 X 80 O'Ring	1	39	393500	Bearing 6028	2
18	390601	Double Drive Pinion Gear	1	40	393300	4th Stage Ring Gear	1
19	391500	SHCS 10-1.5 X 40	36	41	393600	Snap Ring WST-550	1
20	391200	Housing Cover	1	42	393400	O'Ring H3 x 210	1
21	391600	O'Ring H3 x 273	1	43	393700	Packing Ring 125 x 145 x 12	1
22	391400	6009 Bearing	1	44	393800	Cover	1
23	391700	Snap Ring HO-281	1	45	393900	Snap Ring HO-800	1
24	392100	DD Planet Pin	6	46	394000	Oil Plug SAE #8	4



* Flottweg is a registered trademark of Flottweg Separation Technology, Inc. Rev Tech LC is an independent centrifuge gearbox part supplier for various OEM companies and is not affiliated with these OEM companies.